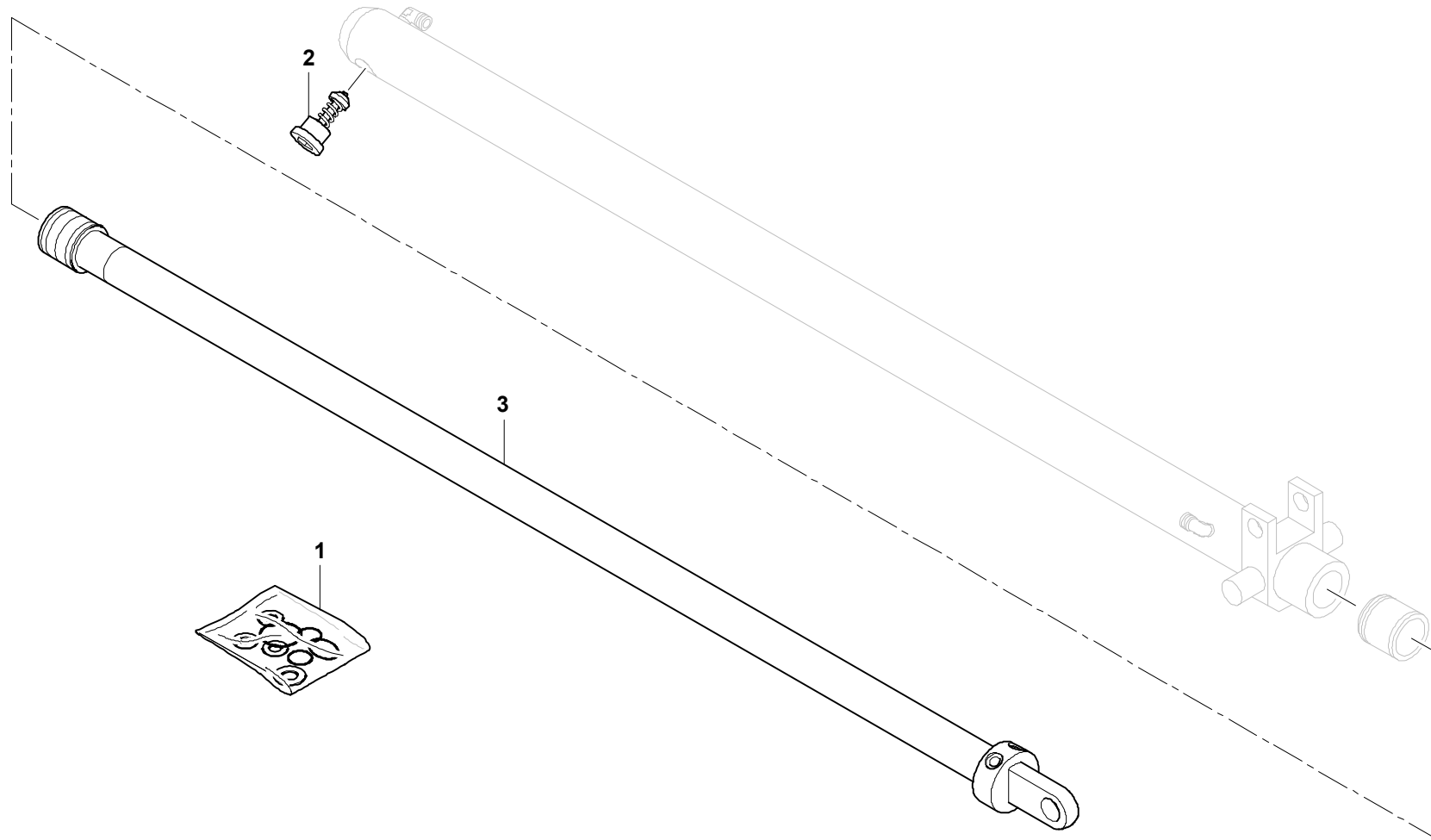


GROVEHYDROZYLINDER DOPPELTWIRKEND
DOUBLE FUNCTION HYDRO.-CYLINDERBILDТАFEL
PICTORIAL DISPLAY**GMK 5130**
BE 505
G 781

08.08

3137526-ETL #

1/1



3137526-0-BL01-0808-0000